

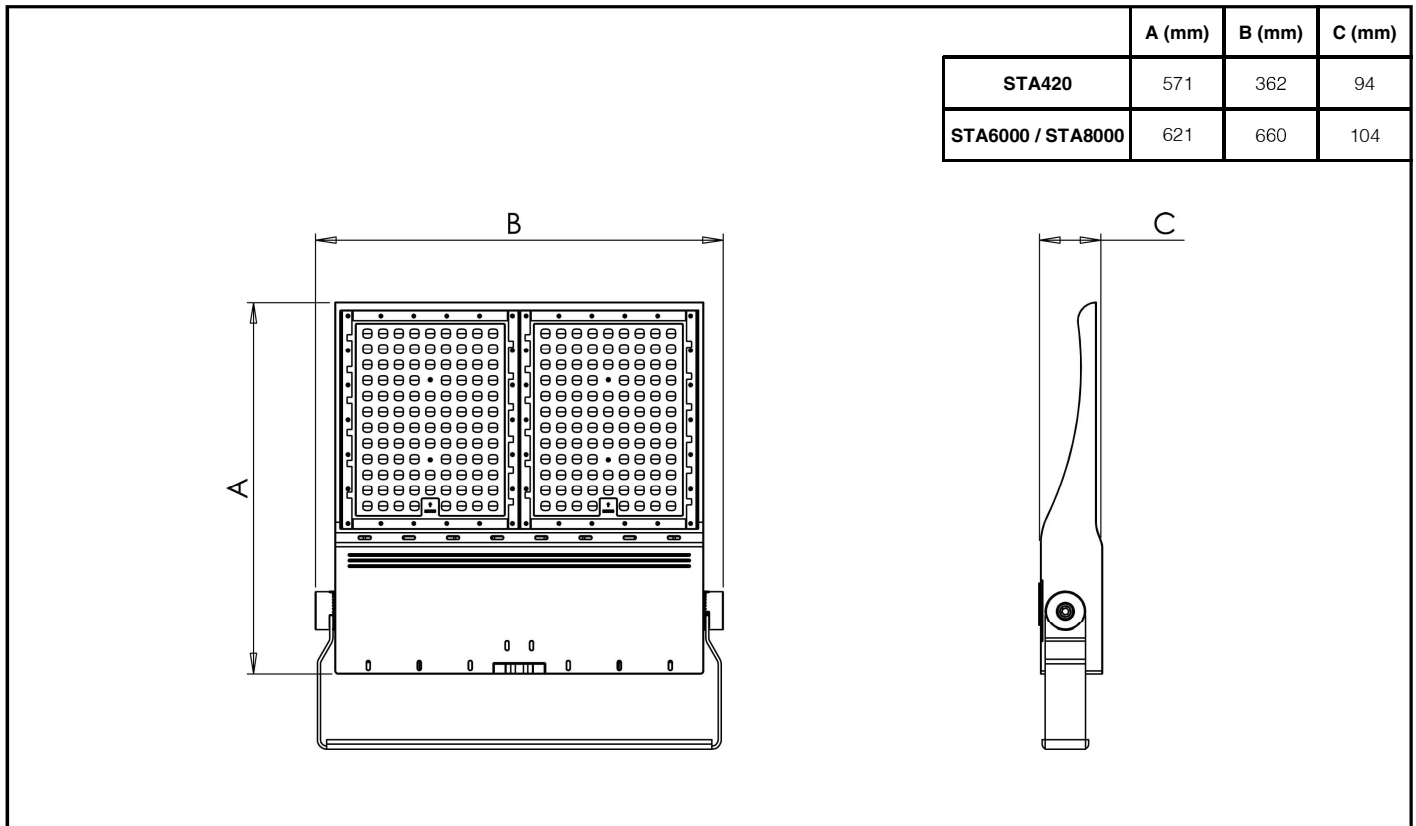
**Product Name: STADIA**

## General information

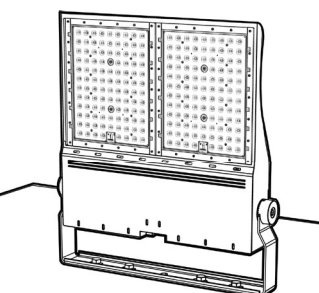
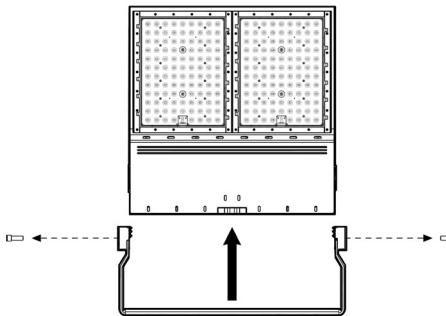
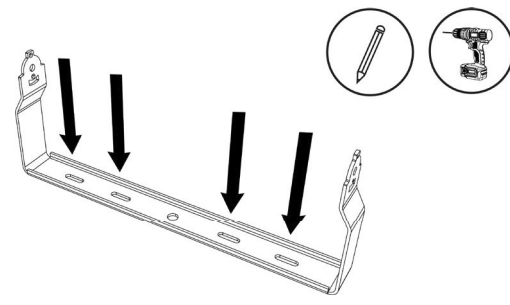
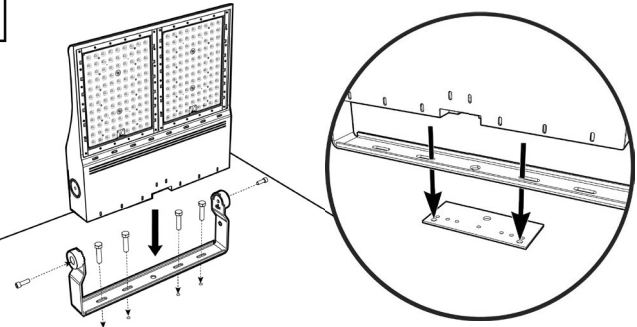
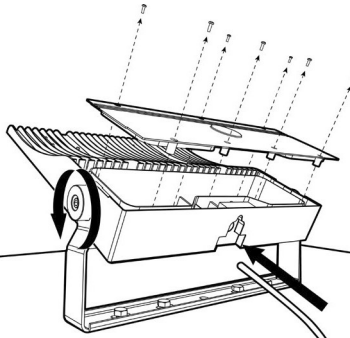

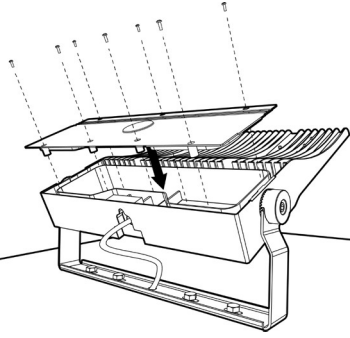
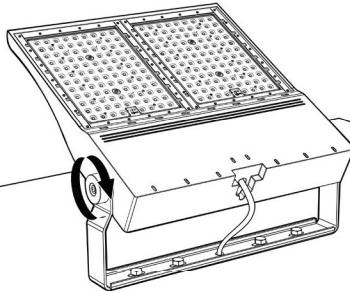
- This luminaire must be installed in accordance with the latest edition of the IET Wiring Regulations and local Building Regulation by a qualified competent person.
- The mains power supply must be turned off before inspection, installation or removal of the luminaire, ensuring that the supply is locked off to prevent inadvertently switching the supply on.
- It is the installer's responsibility to ensure that the installation is suitable for the total load of the luminaire(s). The supply cable fuses/circuit breakers must be correctly rated for the electrical load and taking into account for any transient inrush currents that may occur.
- It is the installer's responsibility to ensure that the environmental operating and storage conditions are complied with and that any fire risks are considered.
- Do not perform insulation strength or insulation resistance tests on the installation with the luminaire(s) connected, this can damage the luminaires and give erroneous readings.
- Do not loop-in supply cables at the luminaire supply terminals unless there is provision for 2-way connection at the terminals.
- The light source contained in this luminaire must only be replaced by Tamlite Lighting or an appointed service agent.
- Emergency lighting luminaires must be installed and maintained in accordance with the emergency lighting standard BS 5266-1.
- To ensure that the product warranty remains valid, the luminaire must be installed and maintained in accordance with these installation instructions and the product must not be modified in any way.

- Luminaires marked with this symbol must not be covered with thermally insulating material.
- This symbol on covers over light sources indicates dangerous live parts do not operate the luminaire with this cover removed.

## Dimensions







Product Name: **STADIA**

<p><b>1</b></p>  <p>Remove the product from its packaging.</p>	<p><b>2</b></p>  <p>Unscrew the bracket locking bolts and remove the bracket.</p>
<p><b>3</b></p>  <p>Mark and drill mounting points on mounting surface if required.</p>	<p><b>4</b></p>  <p>Mount the bracket with M16 fixings and reattach floodlight head to the bracket.</p>
<p><b>5</b></p>  <p>Remove back cover plate, bring supply cable in through gland and tighten.</p>	<p><b>6</b></p>  <p>Connect supply cable as shown.</p>
<p><b>7</b></p>  <p>Replace back cover plate.</p>	<p><b>8</b></p>  <p>Adjust tilt angle and tighten bracket locking bolts.</p>

Page 2 of 2

Tamlite Technical  
 Stafford Park 12,  
 Telford, Shropshire,  
 TF3 3BJ

+44(0)1952 292441  
 technical@tamllite.co.uk  
 Document No: V1

			<p>220-240V 50/60Hz</p>		<p>IP65</p>	<p>IK10</p>	<p>ta -30°C to 50°C</p>
---	---	---	-----------------------------	---	-------------	-------------	-----------------------------